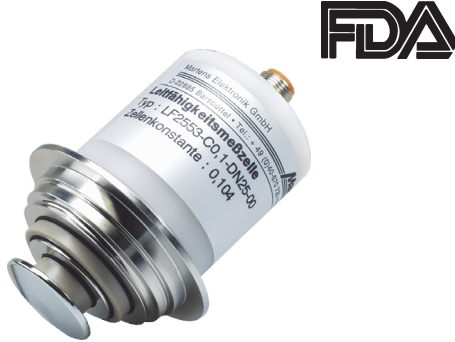


Product Information

Analysis - Conductivity

# Conductivity Cell LF1553 / LF2553



Characteristics

- 2-electrode ultra pure water cell for VARIVENT® Inline-case
- FDA compliant
- Application field food industry
- Measuring range 0..0.5 µS/cm up to 0..50 µS/cm

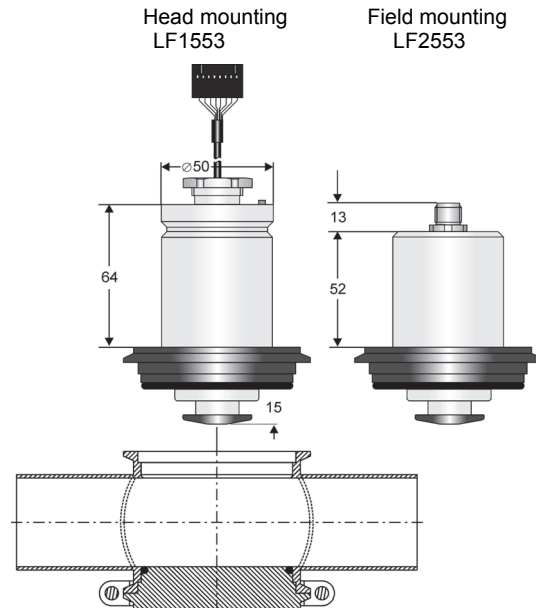
Technical data

Cell constant : C = 0.1 exact cell constant labeled on the type plate  
 Process temperature : -10..+120 °C  
 : CIP-/SIP-capable 140 °C < 1 h  
 Process pressure : max. 16 bar  
 Process material : stainless steel 1.4404; PEEK;  
 seal EPDM, FDA compliant

*Electrical connection*  
 LF1553 : flat cable connector,  
 only head mounting UNICON-LF  
 LF2553 : 8 pole round connector plug  
 M12x1, IP67

-Material : brass nickel plated  
 Temperature measurement : integrated Pt1000 sensor DIN IEC751,  
 class A

Dimensions



Ordering code

LF  1. - C0.1 -  2. -  3.

<b>1. Model</b>	
1553	head mounting UNICON-LF
2553	field mounting
<b>2. Process connection</b>	
DN25	VARIVENT® DN25
DN40	VARIVENT® DN40..DN125
<b>3. Options</b>	
00	without option
03	8 pole round plug SS-type

Connection diagram see page Fehler: Referenz nicht gefunden

Accessories see page Fehler: Referenz nicht gefunden

Note:  
 Conductivity cells LF1553 / LF2553 should **not** be mounted together with other cells in **one** VARIVENT® case.